

PEES Power Systems

Application scope of Huawei solar cell modules



Overview

It provides smart PV solutions for residential, commercial, industrial, utility scale, energy storage systems, and microgrids. As part of our ongoing dedication to innovation and excellence, we use a range of Huawei products to deliver efficient, reliable, and sustainable solar systems. What makes Huawei residential solar products different?

Huawei's residential solar products are designed to provide high efficiency, safety, and reliability while integrating. The "Cell-to-Consumption (C2C) Dual-link Safety Architecture" ensures safety for electrical and thermal links at every stage, keeping all time safe. "Quality is the life of Huawei, and it is directly related to Huawei's survival." Huawei's IPD, LTC, and four core processes ensure top-quality. Huawei's smart micro-grid and grid-forming solutions connect PV panels to SUN2000-330KTL-H2 smart PV controllers, efficiently converting DC power to AC. Here are the key aspects that make Huawei residential solar products stand out. Unparalleled Safety Features One of the most.

Application scope of Huawei solar cell modules

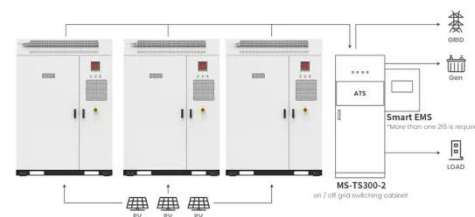


Huawei: Accelerating solar plus storage as main energy source

Huawei Energy Storage Systems integrate power electronics, digital, thermal, electrochemical, and AI technologies to implement refined monitoring and management at the cell, ...

Residential Smart PV & ESS Solution , HUAWEI Smart PV Global

HUAWEI FusionSolar Residential Smart PV & ESS provides a one-fits-all solution from power generation, storage, to charging and power consumption. We always maximize efficiency and safety ...



Application scenarios of energy storage battery products

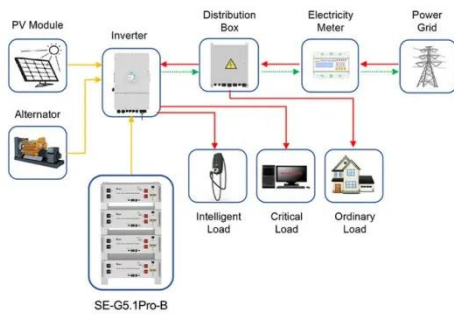


The Most Important Aspects of Huawei Residential Solar Products

Discover the key aspects of Huawei residential solar products, including advanced safety features, high energy yield, smart energy management, and reliable all-in-one solutions for efficient ...

Commercial and Industrial PV Solutions , HUAWEI Smart PV Global

Products & Solutions Powering five key scenarios: industrial manufacturing, low-carbon business campuses, logistics & cold chain, small agriculture farms, and on/off-grid applications.



Application scenarios of energy storage battery products

Application scope of Huawei solar panels

Huawei's residential solar products are designed to provide high efficiency, safety, and reliability while integrating smart technology for an optimized user experience.

Huawei Unveils New All-Scenario Smart PV and Energy Storage

Huawei draws on more than ten years of R& D experience in energy storage systems to deliver a unique smart string structure that integrates digital, power electronics, and energy storage ...



An Introduction to the Huawei

Solar Products that we use

From Huawei's hybrid inverters and Luna batteries to their optimisers and app, these products provide a comprehensive, high-quality solution for both residential and commercial solar ...



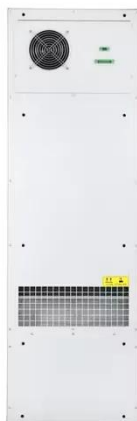
Application scope of Huawei s bifacial solar panels

How has Huawei influenced large-scale PV development? Huawei has ushered in a new era for large-scale PV development, with string inverters now selected as a mainstream option in utility-scale ...



The Sun's Gift: Exploring the World of Photovoltaic Cells , HUAWEI

Moving forward, we'll delve into the different types of photovoltaic cells, understanding their unique properties and applications. We'll also break down how these cells work to convert ...



Leading Solar Solutions for a Greener Future , HUAWEI Smart PV ...

It provides smart PV solutions for residential, commercial, industrial, utility scale, energy storage systems, and microgrids. It builds a product ecosystem centered on solar inverters, charge ...



Contact Us

For catalog requests, pricing, or partnerships, please visit:
<https://www.peregrine-energy.co.za>

