

PEES Power Systems

Alofi Solar Container 500kWh Supplier



Alofi Solar Container 500kWh Supplier



Costco Alofi Off Grid Solar Container 150ft Delivery Near Me , Costco

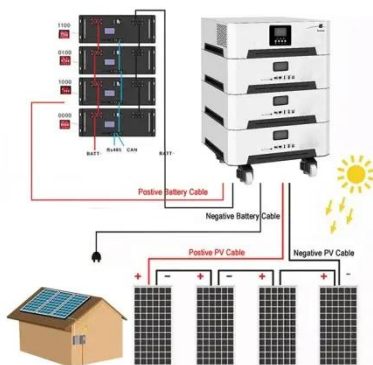
Get Costco Alofi Off Grid Solar Container 150ft products you love delivered to you in as fast as 1 hour with Costco Same-Day same-day delivery or curbside pickup. Start shopping online now with Costco ...

Solar Container Energy Storage System 1mWh Lithium

...

Experience the future of sustainable energy with our Solar Container Energy

...



Containerized Bess 500kwh 1MW 20FT 40FT Container Solar ...

Containerized Bess 500kwh 1MW 20FT 40FT Container Solar Storage System This scheme is applicable to the distribution system composed of photovoltaic, energy storage, power load and ...

Mobile Solar Container Systems , Foldable PV Panels , LZY Container

LZY Mobile Solar Container System - The rapid-deployment solar solution with 20-200kWp foldable PV panels and 100-500kWh battery storage. Set up in under 3 hours for off-grid areas, construction sites ...

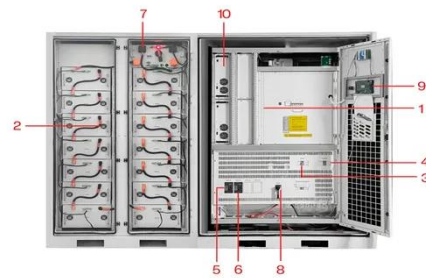


Industrial Container Lithium Solar System Commercial LiFePO4 500kwh

Our products are qualified with CE, ROHS, ISO, SGS certification.

Industrial Container Energy Storage 500kwh 1MW ...

Alicosolar Team focuses on the production and development of ...



- 1 PCS Module
- 2 Battery room
- 3 Grid side circuit breaker
- 4 Load side circuit breaker
- 5 OPV1 side circuit breaker
- 6 OPV2 side circuit breaker
- 7 High Volt Box
- 8 BAT side circuit breaker
- 9 LCD display screen
- 10 MPPT

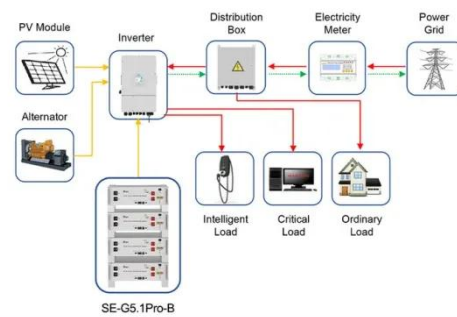
500kWh 1MWh 2MWh Solar Battery Storage Container with CE ...

Product descriptions from the supplier
OUTDOOR CABINET ENERGY STORAGE SYSTEM (1MW 2MWH) The Energy Storage Container is a fully integrated 2MWh system designed for outdoor ...



500kwh 1mwh 2mwh Bess Containerized Hybrid Solar Energy System ...

500kwh 1mwh 2mwh Bess Containerized Hybrid Solar Energy System with Lithium Ion Battery Pack Storage



Application scenarios of energy storage battery products



1MW Solar system LiFePO4 Lithium ion Batteries Container Energy ...

Namkoo's containerized battery energy storage solution is a complete, self-contained battery solution for utility-scale energy storage. It puts batteries, A/C, UPS, inverter and auxiliary equipment in a single ...

1mwh 500kwh 20ft 40ft Commercial Solar Energy Storage Container ...

This supplier mainly exports to Ukraine, the United States, and Germany, offering design-based customization services and FBA freight forwarding. They have a 100.0% positive review rate with 21 ...



LIQUID COOLING ENERGY STORAGE SYSTEM

EMS real-time monitoring
No container design
flexible site layout



Cycle Life
≥8000

Nominal Energy
200kwh

IP Grade
IP55

Solar Container Energy Storage System 1mWh Lithium Battery ...

Experience the future of sustainable energy with our Solar Container Energy Storage System. Designed for solar power plants, this innovative solution combines advanced Lithium battery storage ...

Industrial Container Energy Storage 500kwh 1MW 2MW 5MW Lithium ...

Alicosolar Team focuses on the production and development of solar PV modules with a rich experience for more than 12 years. With the advanced automatic production lines, Alicosolar can provide a total ...



Contact Us

For catalog requests, pricing, or partnerships, please visit:
<https://www.peregrine-energy.co.za>

