

PEES Power Systems

About photovoltaic energy storage system sales



About photovoltaic energy storage system sales

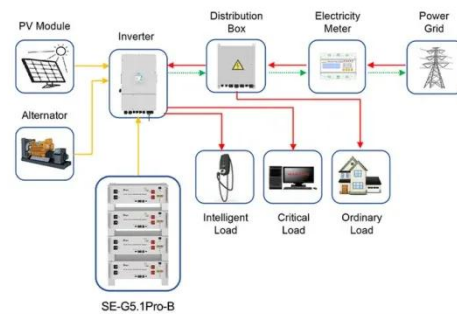


Designing a Scalable Energy Storage Sales System for Global ...

Summary: This article explores the design principles of energy storage sales systems, focusing on market trends, customer segmentation, and strategies to boost international trade. Discover how ...

Photovoltaic Energy Storage System Market Size, Demand, ...

The Photovoltaic Energy Storage System Market is expected to witness robust growth from USD 3.5 billion in 2024 to USD 12.1 billion by 2033, with a CAGR of 15.4%. Explore comprehensive market ...



Application scenarios of energy storage battery products

Photovoltaic Energy Storage System Market Size, Trends

Discover Photovoltaic Energy Storage System Market trends, growth analysis, key segments, and regional insights. Forecast 2025-2035. Explore industry opportunities now!



Energy Storage Systems Market Size & Share Report, 2030

The global energy storage systems market recorded a demand was 222.79 GW in 2022 and is expected to reach 512.41 GW by 2030, growing at a CAGR of 11.6% from 2023 to 2030. Growing demand for ...



Photovoltaic Storage Integration System Sales Market Size, Share

The Global Photovoltaic Storage Integration System Sales Market Industry is significantly driven by the increasing global energy demand, propelled by population growth and industrialization.

...

Photovoltaic Energy Storage System Market Demand and ...

A Photovoltaic Energy Storage System integrates solar photovoltaic panels with energy storage, such as batteries, to store excess solar energy. These systems provide reliable and self-generated electricity, ...



Global Photovoltaic Energy Storage System Sales Market Report



The global Photovoltaic Energy Storage System market is segmented by company, region (country), by Type, and by Application. Players, stakeholders, and other participants in the global Photovoltaic ...

Large-scale Photovoltaic Energy Storage System Market

...

The large-scale photovoltaic energy storage system (PV ESS) market is booming, driven by renewable energy growth and grid stability needs. Learn about market size, key players (Tesla, ...



Solar Energy Storage Market Size & Share Report, ...



The global solar energy storage market was valued at USD 93.4 billion in 2024. The market is expected to reach USD 378.5 billion in 2034, at a CAGR of 17.8%.

[Contact Us](#)

For catalog requests, pricing, or partnerships, please visit:
<https://www.peregrine-energy.co.za>

