

## PEES Power Systems

# 500kWh Monaco photovoltaic IP65 battery cabinet for port use



## 500kWh Monaco photovoltaic IP65 battery cabinet for port use

---



### 500kW/1075kWh Integrated Energy Storage System Specifications

Flexible and Convenient: Modular PCS allows for linear expansion of battery units and bidirectional energy storage inverter units; it possesses independent charging and discharging control capabilities ...

---

### 500KWh Intelligent Uninterruptible Energy Storage Cabinet

TS-WB500 is a newly-developed energy storage system based on the long life rare-earth lithium yttrium battery with latest LiFePO4 Battery technology. The improved technology of battery is in-explosive ...



---

### 100-500KWH Energy Storage Banks in 20 ft. Containers

The energy storage system is essentially a straightforward plug-and-play system which consists of a lithium LiFePO4 battery pack, a lithium solar charge controller, and an inverter for the voltage ...



## 500kW / 1MWh Smart Microgrid Solar Battery Storage System

Featuring a split PCS and battery cabinet design, it offers 1+N scalability and integrates seamlessly with solar PV, diesel generators, the grid, and utility power.



**18650** 3.7V  
Li-ion  
RECHARGEABLE BATTERY  
**2000mAh**



## 500KWH LiFePO4 Battery Cabinet with 250KW Hybrid IP65 All-in ...

Outdoor battery cabinet with an IP54 protection level, and indoor battery rack with an IP20 protection level, inbuilt lithium-ion batteries, and the BMS.

## 100 KWh-500KWh Solar Battery Storage Cabinet, 100kWh ...

This integrated solar battery storage cabinet is engineered for robust performance, with system configurations readily scalable to meet demands such as a 100kwh battery storage requirement.

**LFP12V100**



## monaco 500kwh solar outdoor shelf , etrailer

Find exactly what you need in our extensive collection of monaco 500kwh solar outdoor shelf, and narrow down your options by speaking with one of our experts!

## 100 KWH 500KWH SOLAR BATTERY STORAGE CABINET

This guide provides step-by-step instructions on how to install your R-BOX-OC outdoor solar battery cabinet, including site selection, assembly, wiring, and system testing. [pdf]



## 250kW/500kWh Outdoor Cabinet Energy Storage System ...

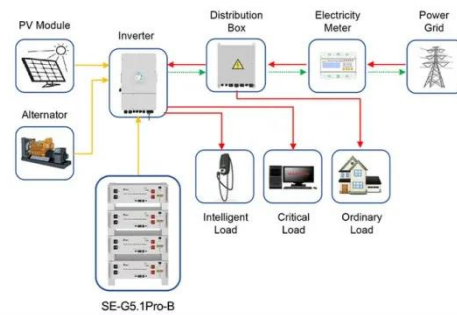
It adopts door-mounted embedded



integrated air conditioning, which does not occupy cabinet space, improves the available space of outdoor cabinets, has better structural integrity at the ...

## Sunway Intelligent Air Cooling 500kW 1075kWh ...

1075kWh battery storage with 500 kW rated AC output, ideal for commercial and industrial loads.



Application scenarios of energy storage battery products

## Contact Us

For catalog requests, pricing, or partnerships, please visit:  
<https://www.peregrine-energy.co.za>

