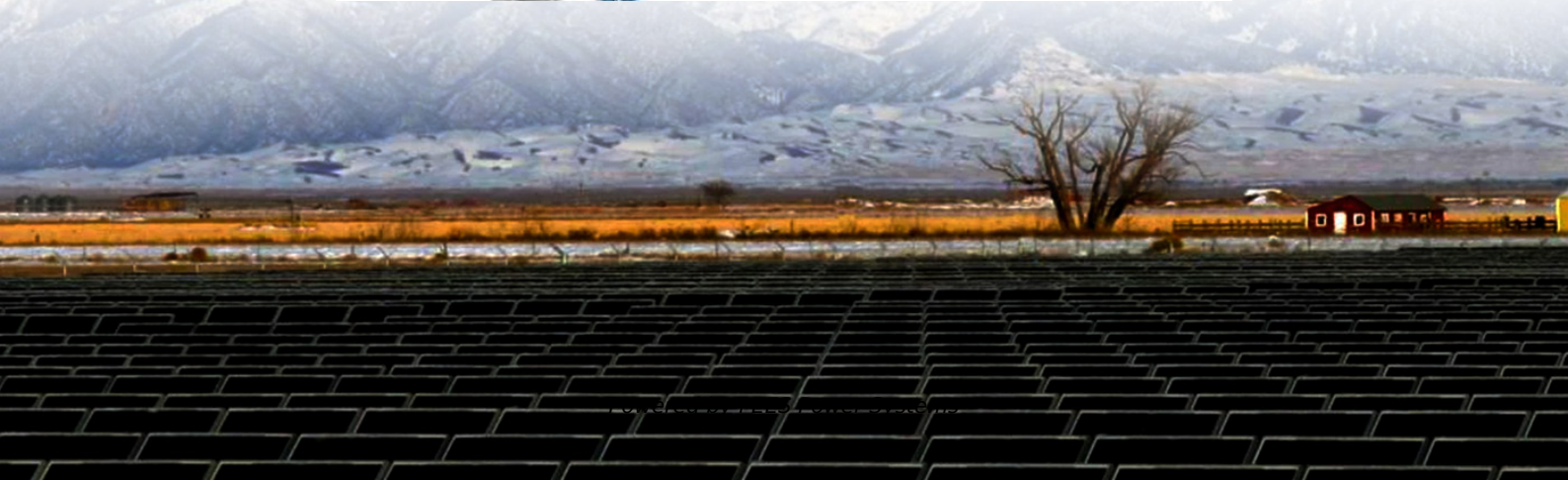


## PEES Power Systems

# 2mw photovoltaic energy storage cabinet product warranty



## Overview

---

Our operational fleet of 2+ GWh provides valuable data that informs our maintenance models and our performance guarantees, and the entire Megapack system is covered by a standard warranty of up to 15 years, with the option of a 20-year Capacity Maintenance Agreement (CMA) in certain.

Our operational fleet of 2+ GWh provides valuable data that informs our maintenance models and our performance guarantees, and the entire Megapack system is covered by a standard warranty of up to 15 years, with the option of a 20-year Capacity Maintenance Agreement (CMA) in certain.

Performance warranty defined for the ESS: 100% DOD, 60% capacity at EOL, operating temperature range of -30°C~+30°C, The number of cycles is defined according to the working conditions of each area. The performance warranty of the battery module is based on the ten-year. receives a service request for the product, whichever is earlier. When contract is directly signed with Huawei. Relying on its cutting-edge clean power conversion technology, industry-leading battery technology and grid forming technology, Sungrow focuses on integrated energy storage systems solutions. The core components of these systems. Warranty issues don't just cost money—they cause downtime, reduce customer confidence, and can lead to disputes between buyers, sellers, and manufacturers. Megapack is optimized for cost, performance, and ease of installation, and includes a standard system warranty of up to 15 years. A complete 2MWh energy storage system + 1MW solar turnkey solution includes the following configurations: Optional solar mounts, PV combiner boxes, and PV cables.

## 2mw photovoltaic energy storage cabinet product warranty

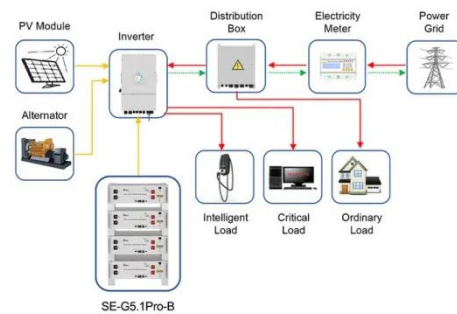


### Energy Storage 10.24MWh Solar Power Plant 2MW for Industrial

25 years guarantee (CE TUV). Reliable thunderstorm & surge protection. Bi-directional power control and an inverter with multiple charging/discharging modes. PCS module machine automatically ...

### Common Warranty Issues in PV + Storage Cabinets

This guide will explore the most common warranty issues in PV + storage cabinets, what causes them, and how to prevent or resolve them before they escalate.



Application scenarios of energy storage battery products



### Megapack Datasheet

Megapack is an all-in-one utility-scale energy storage system that is scalable to the space, power, and energy requirements of any site from 2 MWh to over 1 GWh. Megapack is optimized for cost, ...

## Energy Storage Equipment Warranty: What You Need to Know Before ...

Let's face it: energy storage equipment warranties can feel like deciphering ancient hieroglyphics. But with battery storage systems becoming the backbone of renewable energy grids, ...



## 2MWh Energy Storage System With 1MW Solar

PVMARS's 2MWh energy storage system (ESS) + 1MW solar energy is an off-grid microgrid solution. Solar panels themselves cannot store a lot of electricity, so the system uses photovoltaic panels to ...

## Es 1MW 2MW 3MW Battery Energy Storage Cabinet Container Solar Energy

Enjoy Solar 10 Years Warranty Ess Commercial Solar Energy Storage Container Bess 1mwh 2mwh 3mwh 4mwh 5mwh Lithium Solar Storage Battery System  
US\$300,000.00-450,000.00/ Set



## Energy Storage System 1MWH/2MWH Warranty and

## Service ...

Warranty period: Huawei also provide extended warranty period, which need to be purchased by customer depending on their requests.



---

## 2MWH Containerized Solar Battery Storage System

Polinovel 2MWH commercial energy storage system (ESS) is tailored for high-capacity power storage, ideal for large-scale renewable energy generation, PV self-consumption, off-grid applications, peak ...



---

## Energy Storage System

The core components of these systems include PCS, lithium-ion batteries and energy management systems. These "turnkey" ESS solutions can be designed to meet the demanding requirements for ...



---

## C& I Energy Storage 2MWh Series Warranty Service Terms

the product warranty of the industrial

and commercial energy storage 2 MWh system is classified into basic warranty and advanced warranty. After the device is delivered, the basic warranty is ...



---

## Contact Us

---

For catalog requests, pricing, or partnerships, please visit:  
<https://www.peregrine-energy.co.za>

