

PEES Power Systems

1mwh solar energy storage cabinet for power stations

**FLEXIBLE SETTING OF
MULTIPLE WORKING MODES**



1mwh solar energy storage cabinet for power stations



Why 1MWh Containerized Energy Storage Power Stations Are

The Rise of the 1MWh "Battery in a Box" Imagine a shipping container that doesn't carry sneakers or smartphones but instead houses enough energy to power 200 homes for a day. That's the magic of a ...

All in One Ess 1mwh Lithium Battery Power Energy Storage System Cabinet

We are professional manufacturer of solar systems, providing complete solar programs of off-grid, on-grid/grid-tie and hybrid power storage systems for partners around the world. Together with our products ...



ESS-GRID FlexiO Series 500kW 1MWh Battery Microgrid Outdoor Solar

An air-cooled commercial and industrial battery system designed with a split PCS and battery cabinet architecture for flexible 1+N scalability. Compatible with solar PV, diesel generators, and grid

power, ...



The Role of 1MWh Container Energy Storage in Renewable Power ...

Explore how 1MWh containerized energy storage systems enable renewable energy developers to achieve stable, efficient, and scalable power delivery.



ESS Solar Energy Storage Battery Cabinet 215kwh 430kwh 1MWh ...

Namkoo NKB Series 215kwh commercial & industrial energy storage system adopts the all in one design concept. The cabinet is integrated with battery management system (BMS), energy management ...

TRENE 1MWh Liquid Cooling ESS: A System-Level Approach to ...

SolaX Power's TRENE 1MWh liquid-cooling energy storage system has been engineered with these changing market dynamics in mind. Designed as a fully integrated, utility-grade cabinet, it prioritises ...



Sunpal Solar Energy Storage Cabinet 1MWh 2MWh 1000KWh Bess Solar

500kW/1mWh Containerized Battery Solar Power Storage Plants are suitable for use in public buildings, communities, medium and large enterprises, utility-scale storage systems, off-grid systems, electric ...

Sunpal Battery Energy Storage Station 1400Kwh 1000Kw 500Kwh 1Mw 1Mwh

Sunpal Battery Energy Storage Station 1400Kwh 1000Kw 500Kwh 1Mw 1Mwh Solar Energy Ess System Container Cost Cabinet For Solar Power, Find Details and Price about battery energy storage ...



1MWh Energy Storage

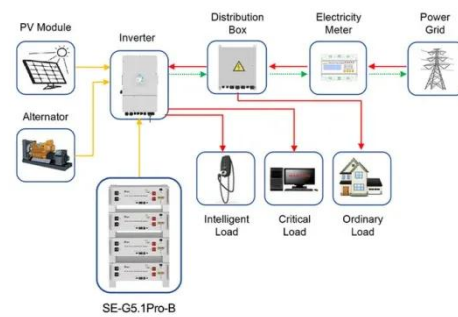
Container System

HJ-G1000-1000F 1MWh Energy Storage Container System is a highly efficient, safe and intelligent energy storage solution developed by Huijue Group. The system adopts lithium iron phosphate battery technology, ...



Sunway 1MW Battery Container Energy Storage System

ESS Container Battery Sunway Ess battery energy storage system (BESS) containers are based on a modular design. They can be configured to match the required power and capacity requirements of client's ...



Application scenarios of energy storage battery products

Contact Us

For catalog requests, pricing, or partnerships, please visit:
<https://www.peregrine-energy.co.za>

