

PEES Power Systems

1MW Photovoltaic Energy Storage Container for Power Grid Distribution Stations



Overview

The 500kW storage converter is designed as an integrated solution, supporting simultaneous access to loads, batteries, grid or diesel generators, and photovoltaic, with a variety of operating modes and flexible battery compatibility. The maximum conversion efficiency reaches 98. Features of Sunway Energy Storage Container Energy Storage System1. High degree of system integration, integrated battery management system, PCS, temperature control system, fire control system, access control system, data monitoring system, AC and DC power distribution, lighting system, etc. The system adopts lithium iron phosphate battery technology, with grid-connected energy storage converter, intelligent control through energy management. The Megarevo PCS Solar Inverter features a built-in isolation transformer for robust load adaptation and 97. It supports flexible parallel configurations and both AC/DC redundant power supplies, ideal for PV charging, C&I energy storage, and charging stations. The MEG-1000 provides the ancillary service at the front-of-the-meter such as renewable energy moving average, frequency. The energy storage system can effectively reduce the load peak-to-valley difference, improve the utilization rate of power equipment, eliminate the fluctuation of renewable energy power generation, improve the ability to integrate renewable The main principle of industrial ESS is to make use of.

1MW Photovoltaic Energy Storage Container for Power Grid Distribu

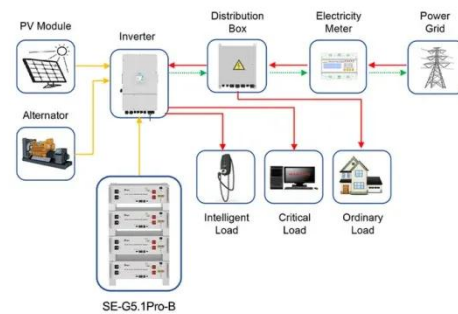


Sunway Ess 1MW 2 MW Solar Energy Storage Battery Container ...

Energy Storage Systems**: SUNWAY's energy storage systems store excess solar energy for use during adverse weather conditions or at night, reducing dependence on the traditional power grid and ...

1MWh Energy Storage Container System

Huijue Group's energy storage solutions (30 kWh to 30 MWh) cover cost management, backup power, and microgrids. Advanced Solar Power Solutions for Telecom To address limited or unreliable grid ...



Application scenarios of energy storage battery products



Sunway 300kW 500kW 800kW 1MW Battery Container Energy

...

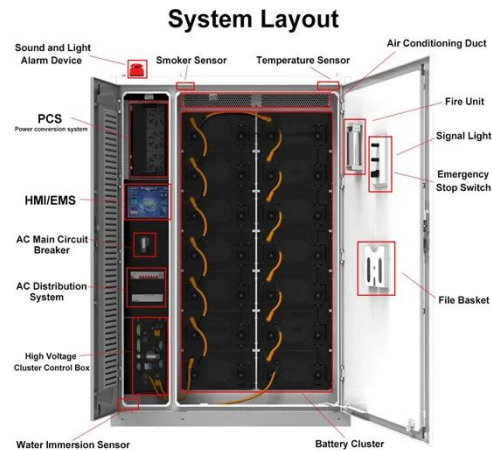
They can be configured to match the required power and capacity requirements of client's application. Our containerised energy storage system (BESS) is the perfect solution for large-

scale ...

BESS 1MW 3.2MWh AC 480V Three Phase Energy Storage System

Ideal for large-scale energy storage, photovoltaic systems, and microgrid applications, ensuring optimized energy management and high efficiency. The Sunpal BESS 1MW 3.2MWh Hybrid Grid

...



Container Energy Storage System

A high-performance, all-in-one, containerized battery energy storage system developed by Mate Solar, provides C& I users with the intelligent and reliable solution to optimize energy efficiency and resilience.

1MW Battery Energy Storage System

The MEGATRON 1MW Battery Energy Storage System (AC Coupled) is an essential component and a critical supporting technology for smart grid and renewable energy (wind and solar).





 LFP 280Ah C&I

1MW 1000kW/3.5MWh 3500kWh Battery Energy Storage System/Battery Container

The energy storage container contains environmental control, power distribution, fire protection, security, lighting, monitoring, etc. It has the characteristics of convenient installation and space saving.

1MWh Energy Storage Container System

The system adopts lithium iron phosphate battery technology, with grid-connected energy storage converter, intelligent control through energy management system (EMS).



- High energy density and long cycle life
- Modular structure
- No need to replace the battery
- Shorter charging time
- Meets 99% EV car



ESS 500KW 1000KW 1MW 100 MW Solar Energy Storage Battery ...

Our containerised energy storage system (BESS) is the perfect solution for large-scale energy storage projects. The energy storage containers can be used in the integration of various storage ...

Sunway 1MW Battery Container Energy Storage

System

Our containerised energy storage system (BESS) is the perfect solution for large-scale energy storage projects. The energy storage containers can be used in the integration of various storage ...



Contact Us

For catalog requests, pricing, or partnerships, please visit:
<https://www.peregrine-energy.co.za>

